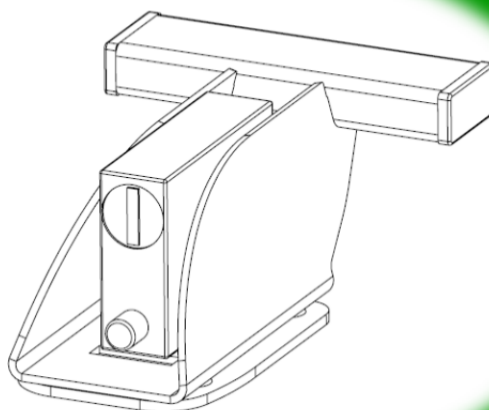
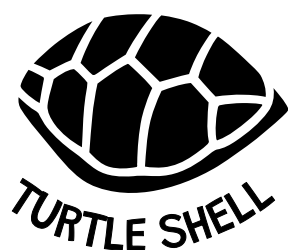


# User Manuel

## Turtle Shell Garage Lock



**Version : VDG-01B**  
**English**

<https://turtleshell.eu>

Turtle Shell® – April 2026

## Table of Contents

<b>1. Acknowledgements .....</b>	<b>3</b>
<b>2. Specifications .....</b>	<b>3</b>
2.1. Recommendations and identification .....	3
2.2. Box contents.....	4
2.3. Dimensions.....	5
2.4. Weight .....	5
<b>3. Installation .....</b>	<b>6</b>
3.1. Required tools .....	6
3.2. Lock positioning.....	7
3.3. Drilling.....	9
3.4. Fastening.....	11
3.5. Important installation warnings.....	12
<b>4. Usage .....</b>	<b>13</b>
4.1. Installing the lock.....	13
4.2. Possible configurations .....	14
4.3. Maintenance and recommendations .....	15
<b>5. About .....</b>	<b>15</b>
5.1. Version .....	15
5.2. Company information .....	15
5.3. Recycling instructions .....	16
5.4. Full-scale drilling template .....	16

# 1. Acknowledgements

Thank you for choosing the Turtle Shell Garage Lock. This manual guides you step by step through the correct installation and optimal use of your product.

## Security designed to resist break-ins

The Turtle Shell Garage Lock is designed to withstand the most common break-in attempts: tearing, angle grinder cutting, forcing, etc. By significantly complicating and delaying intrusion, it acts as an effective deterrent against intruders and provides lasting protection for your belongings.

## Before you begin

Installation is straightforward, but every step in this manual must be followed carefully to ensure the optimal effectiveness of your lock.

We value your feedback — please do not hesitate to contact us for any enquiry or information at : [contact@turtleshell.eu](mailto:contact@turtleshell.eu)

# 2. Specifications

## 2.1. Recommendations and identification

Warning: this product is intended for garage doors in apartment buildings (sheltered from rain) with a tilting door that opens from the front and not a vertically sliding door.

The product is identified by the unique GTIN code : 05419980454201.

The serial number and product version are identified on the label located on the anti-break-in shell (the green part) :

Format : **III-AAMMxxxx-VVV**

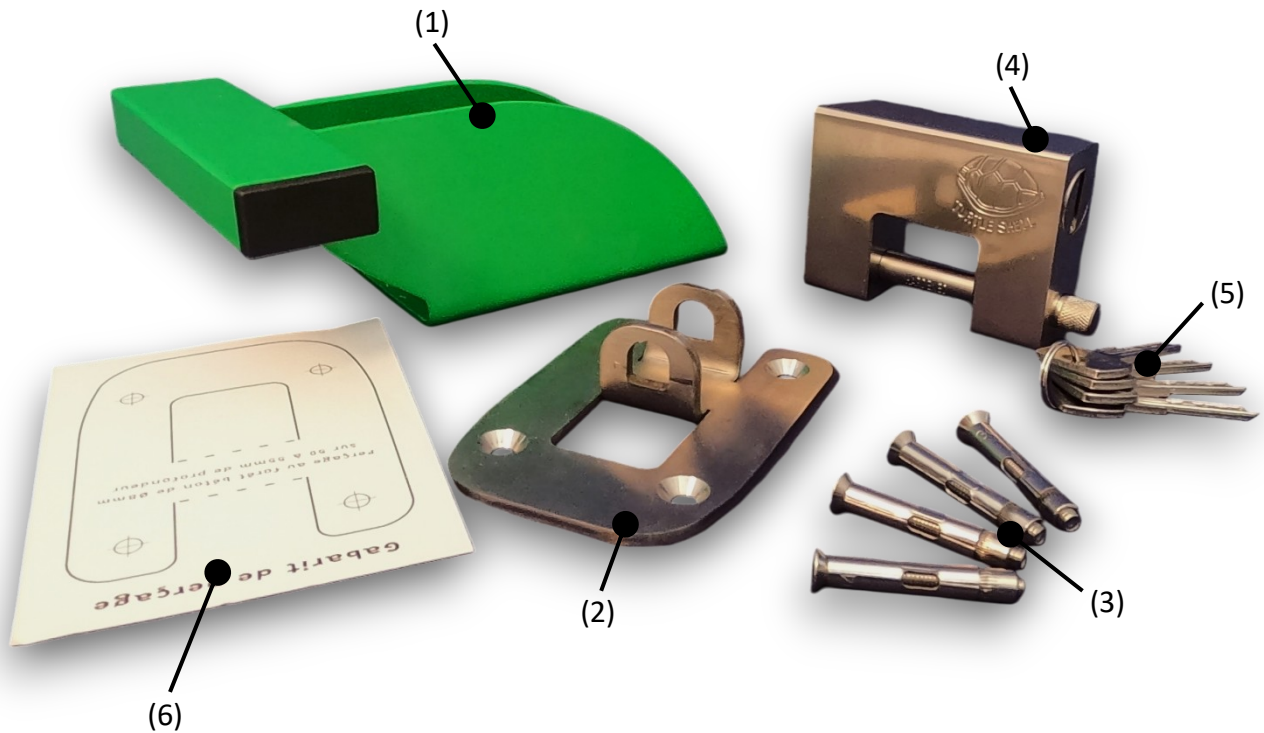
- I[2] : Product reference
- A[2] : Year
- M[2] : Month
- x[4] : Series
- V[3] : Version, 2 digits and a letter.



Please verify that this manual matches the version of your lock. The Turtle Shell version referenced in this manual is 01B.

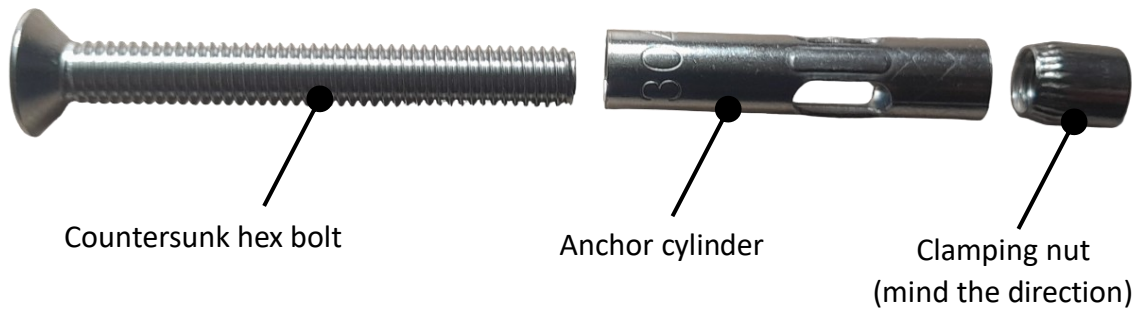
You can find the version of your garage lock on the label of the green anti-break-in shell.

## 2.2. Box contents



Reference	Part number	Description
1	STRU-01B	Anti-break-in shell
2	FIX-01B	Floor mounting plate
3	ANCR-01A	Concrete anchor x4
4	PADL-01A	Rectangular padlock
5	KEY-01A	Keys x4
6	GAB-01B	Drilling template

### Stainless steel concrete anchor

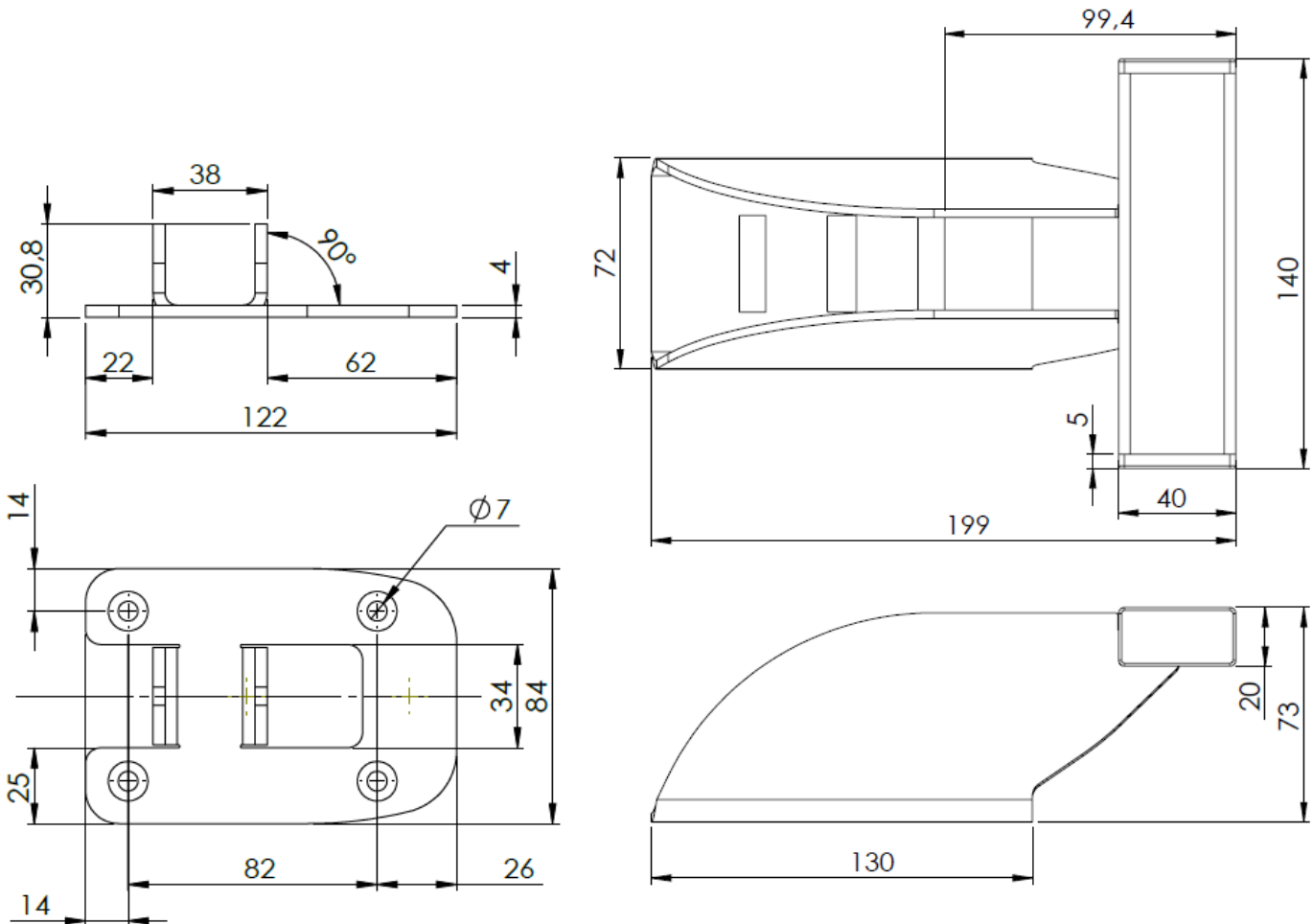


### 2.3. Dimensions

Dimensions are given in millimetres and may vary slightly.

**Mounting Plate (2)**

**Anti-break-in shell (1)**



### 2.4. Weight

Reference	Description	Weight (g)
1	Anti-break-in shell	780
2	Mounting plate	268
3	4 anchors	60
4	Rectangular padlock	980
5	4 keys	20
<b>Total</b>		<b>2108</b>

Note : Due to the manufacturing process, weight may vary slightly.

### 3. Installation

A video installation tutorial is also available on the website :

<https://turtleshell.eu/manuel.html>

#### 3.1. Required tools and materials



To carry out the installation, gather the following tools in addition to the items provided in the box:

- A hammer drill, or ideally a rotary hammer
- An 8 mm diameter masonry drill bit
- Adhesive tape
- A 4 mm hex key (EH4 / Allen key)

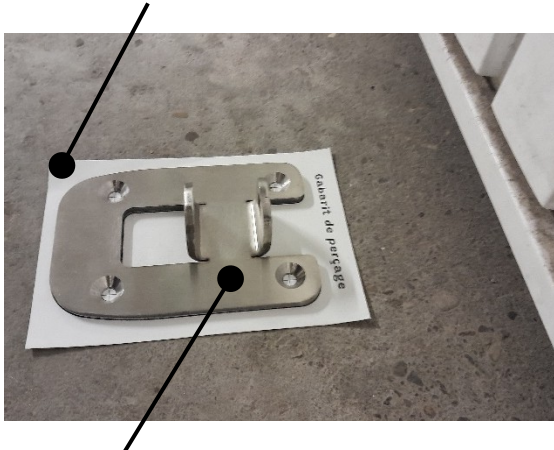
### 3.2. Lock positioning

Since garage door mechanisms vary from one another (the gap between the door and the floor, the door arm sweep, etc.), it is strongly recommended to follow the procedure below to ensure a proper installation.

- 1- Close your garage door.
- 2- Place the template (6) at the centre of the door lengthwise, then position the mounting plate (2) over the outline of the template. The 4 targeting circles on the template must be centred with each hole in the plate.
- 3- Then place the anti-break-in shell (1) on the plate.
- 4- Adjust the position of the assembly to leave at least 5 mm between the garage door and the shell. Verify the alignment of the plate and the template.

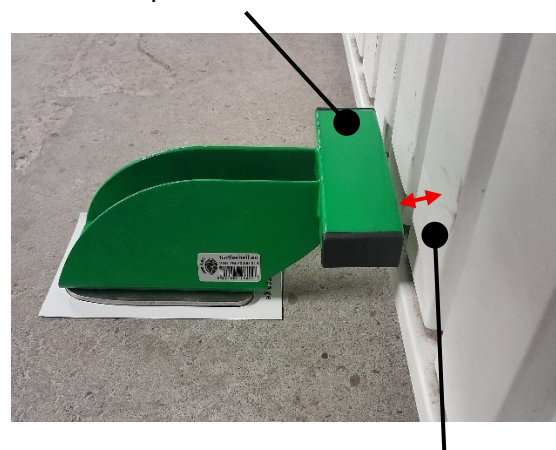
The following photos illustrate this step :

a- The template is positioned at the center of the door.



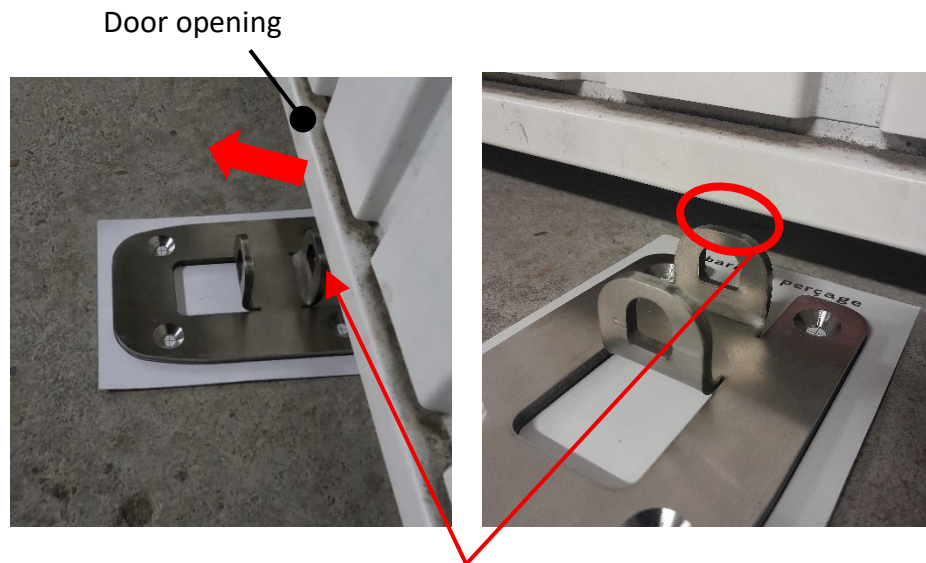
b- The plate (2) is centred on the template outline (configuration 1).

c- The anti-break-in shell (1) is placed on the plate.



d – To account for the thermal expansion of the door, make sure to leave a clearance of at least 5 mm with

5- Carefully remove the shell (1) (without moving the rest) and make sure the garage door can open properly without touching the plate (2). If needed, move the plate and template back slightly.



Here, the plate does not obstruct the opening of the garage door.

If needed, repeat step 4 with a bit more space from the door.

If the gap between the door and the front of the shell is too large, a second configuration is possible — refer to section 4.2



Configuration 1 : the 2 loops of the plate face the door side



Configuration 2 : the template is rotated half a turn compared to configuration 1

Apply two strips of adhesive tape to secure the template to the floor, then remove the plate.



Template secured in configuration 1.

### 3.3. Drilling

**Prerequisite** : set your drill depth stop to 50 mm.



**Tip** — If your drill does not have an adjustable depth stop, place a piece of adhesive tape directly on the drill bit, 50 mm from the tip (see photo opposite). Stop drilling as soon as the tape touches the floor.

- 1- Open your garage door to have sufficient working space.
- 2- Position the tip of the drill bit on one of the 4 drilling marks. Hold the drill as perpendicular to the floor as possible. If you have a smaller drill bit (for example  $\varnothing$  4 mm), for greater accuracy, drill a pilot hole before drilling to the final diameter.



3- Drill to a depth of 50 mm — precision is essential here. **Be sure to hold the drill bit steady when starting the hole to prevent any slipping.**



- 4- Remove the dust.
- 5- Repeat the drilling operations for the remaining 3 marks.
- 6- Remove the template. The cardboard can be placed in the recycling bin.

### 3.4. Fastening

1- Position the anchors as shown in the following photo, leaving a little play at the base of the head. To do this, do not fully tighten the clamping nut. There should be approximately 2 mm of space between the plate and the anchor tube.

**Caution: the clamping nut has a specific orientation.**



- 2- Insert all 4 anchors into the holes so that the plate lies flat and in contact with the floor.
- 3- Finally, using the 4 mm hex key, tighten all 4 bolts (clockwise) until they can no longer be turned.

The clamping nut will rise into the hole and expand the anchor tube.



### 3.5. Important installation warnings

**⚠ Do not drill beyond 50 mm.** A hole that is too deep prevents the nut from locking properly at the bottom: the bolt then spins freely and the anchor cannot be secured. Proceed gradually and check the depth regularly.

*If the hole is drilled too deep:* remove the bolt, then the cylinder, and attempt to retrieve the clamping nut using the original bolt or a bolt of the same diameter but greater length.

**⚠ The anchor cylinder must be flush with the floor,** without protruding.

## 4. Usage

### 4.1. Installing the lock



Close your garage door.

Place the anti-break-in shell (1) onto the mounting plate (2) through the 2 openings at the bottom of the shell to expose the 2 loops of the plate.



Open the padlock with one of the 4 supplied keys by turning it  $\frac{1}{4}$  turn, then fully pull out the shackle.

Place the padlock over the shell and through the 2 loops of the plate as shown in the photo



Push the padlock shackle firmly and fully through the 2 loops of the plate.

Turn the key  $\frac{1}{4}$  turn to lock the shackle, then remove the key.

**Your garage is now secured !**

To remove your Turtle Shell garage lock, simply reverse the above steps.

## 4.2. Possible configurations

### The plate is in Configuration 1



The mounting plate is rotated 180°

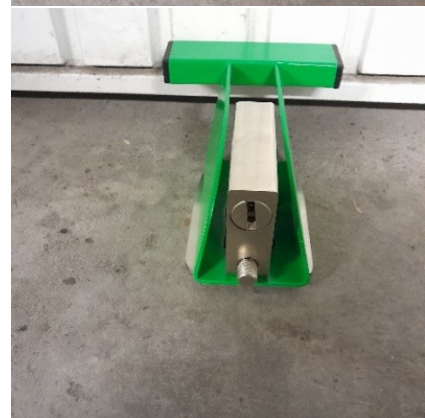


The shell always remains aligned with the plate. The loops pass either through the 2 front slots or through the 2 rear slots.

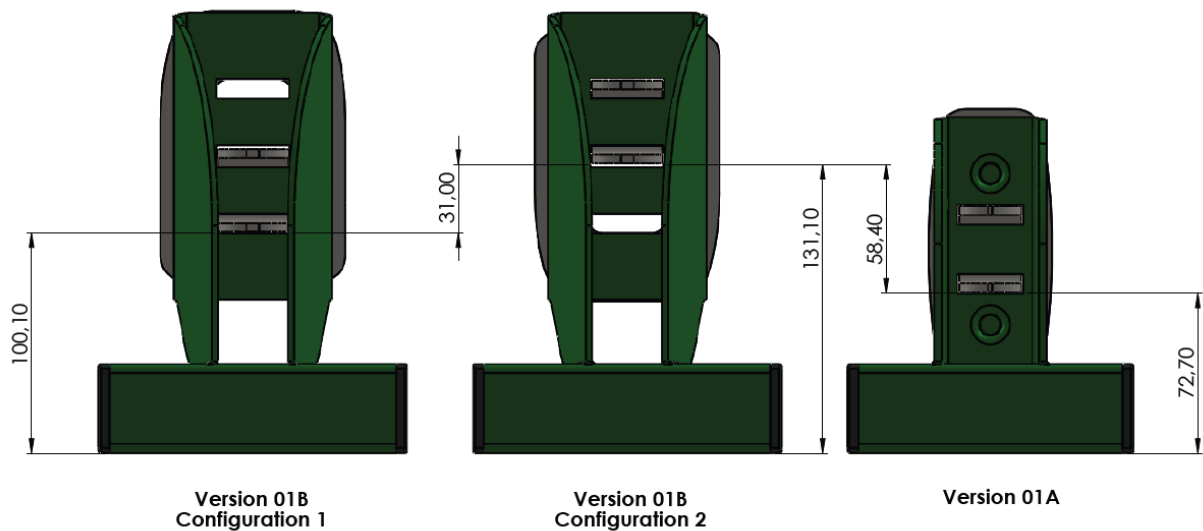


The padlock, placed on the loops, will change position accordingly.

### The plate is in Configuration 2



Below are the spacings between versions 01A and 01B :



### 4.3. Maintenance and recommendations

Avoid walking or rolling over the floor-mounted plate (2).

If the lock becomes stiff, apply WD-40 into the lock cylinder and allow it to penetrate for a few moments. Then rotate the key several times to distribute the lubricant. The shackle and its locking mechanism can be lubricated in the same way.

## 5. About

### 5.1. Version

Version	Author	Reviewer	Modified sections
1.0 – 2026-02-28	JCA	ACA	Initial version

### 5.2. Company information

La Vrac Attitude is a French company that designs, manufactures and markets this product. As part of its ecological commitments, each part is available to order separately in order to limit the unnecessary replacement of the entire product.

For any enquiry, contact us at: [contact@turtleshell.eu](mailto:contact@turtleshell.eu)

Turtle Shell® is a registered trademark of La Vrac Attitude© SAS, registered in the French companies register (SIRET : 90198000300015). Any reproduction, imitation or total or partial use of the brand is prohibited without prior written authorisation.

### 5.3. Recycling instructions

In keeping with the ethos of sustainability that drives La Vrac Attitude, the packaging box and padding are made from recycled fibres, with no unnecessary plastic and no over-packaging.

The packaging and the drilling template must be placed in the recycling bin.



#### End of product life

The complete Turtle Shell Garage Lock — plate, anchors, padlock and anti-break-in shell — should be taken to a recycling centre and placed in the metal container, without separating the parts.



For more information on recycling: [turtleshell.eu/infotri](https://turtleshell.eu/infotri)

### 5.4. Full-scale drilling template

